



water, sewage and sludge technology  
*pumps for life ...*

An ISO 9001:2008 certified company by 

# DEEP BLUE SERIES - H SERIES Sewage and Trash Pumps

## Exploded View with Parts List



DBH 80-280



DBH 100-280



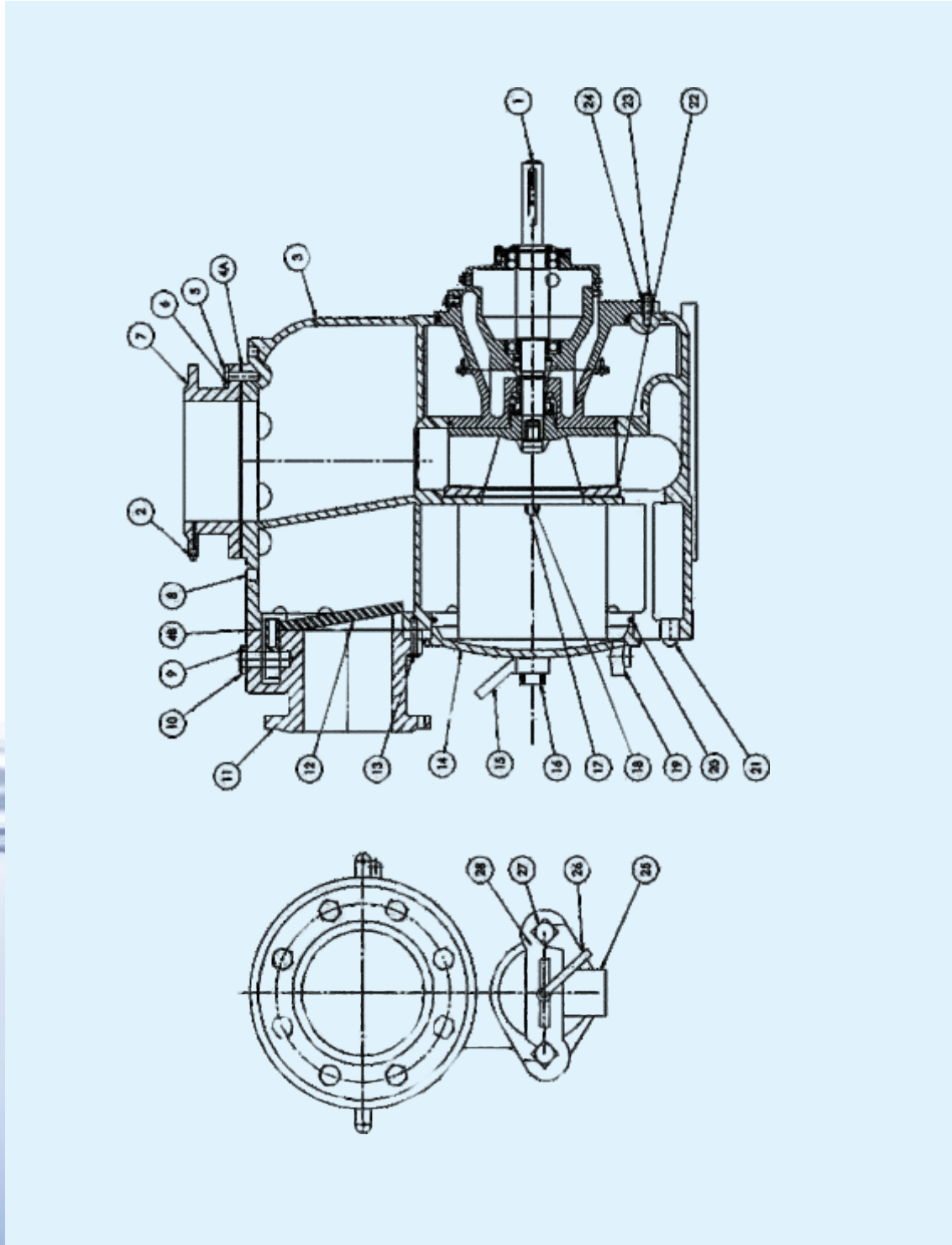
DBH 150-318

**INDRA HYDRO TECH PUMPS PVT. LTD.**

316, 1st Floor, 8th Cross, 4th Phase, Peenya Industrial Area, Bengaluru - 560 058, Karnataka, India  
Tel.: +91 80 2836 2916, Fax: +91 80 2836 3048, Email: [contact@ihpindia.in](mailto:contact@ihpindia.in), [www.ihpindia.in](http://www.ihpindia.in)

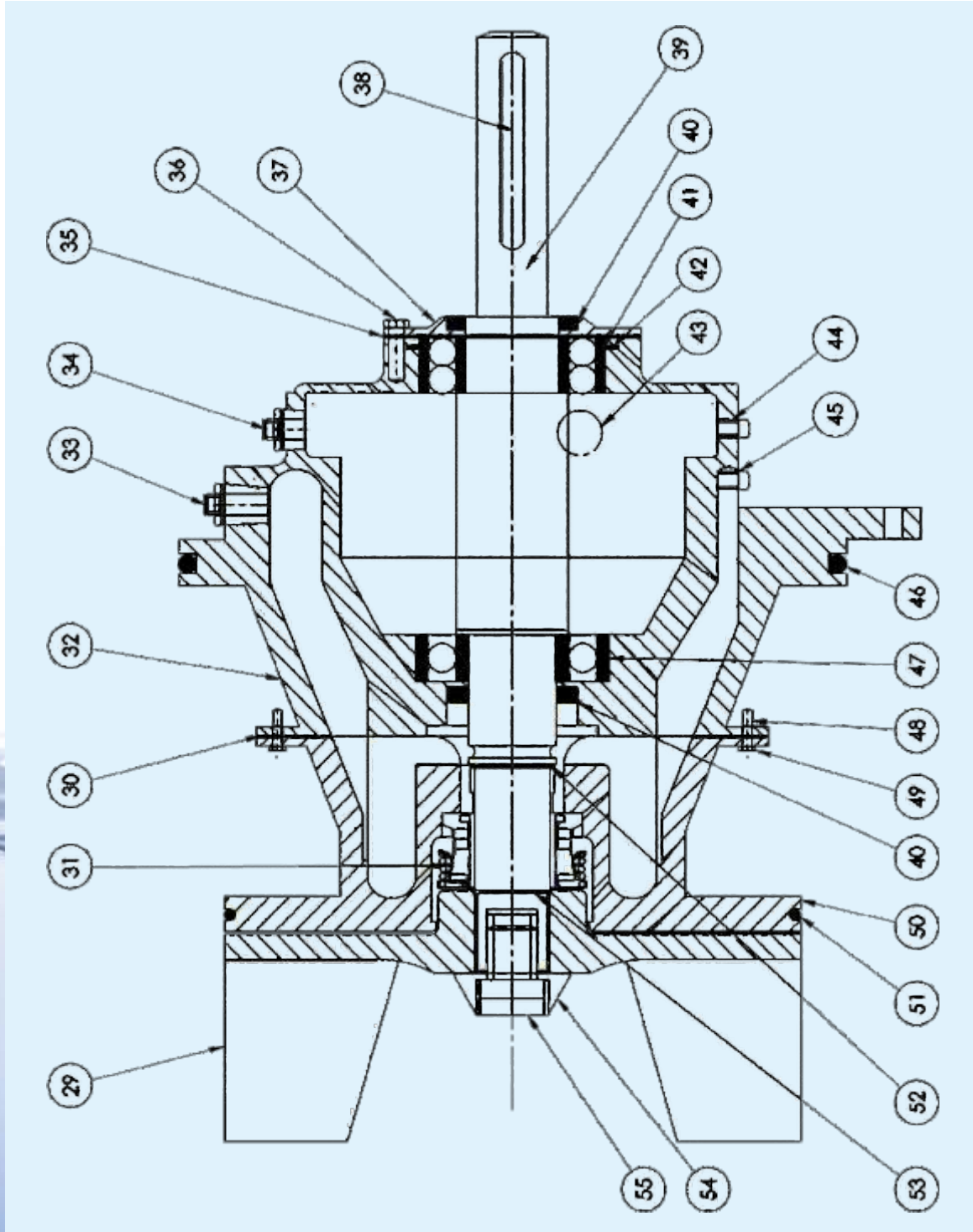
# DEEP BLUE SERIES - H SERIES

## Exploded View



# DEEP BLUE SERIES - H SERIES

## Exploded View - Rotary Part



# DEEP BLUE SERIES - H SERIES

## Price List

Item	Material	DBH80-280	DBH100-280	DBH150-318	
1	Rotor assembly	DBH80-280-21	DBH100-280-21	DBH150-318-21	
2	Discharge flange plug	DBH80-280-22	DBH100-280-22	DBH150-318-22	
3	Casing	DBH80-280-1	DBH100-280-1	DBH150-318-1	
4A	Discharge flange gasket	DBH80-280-23	DBH100-280-23	DBH150-318-23	
4B	Suction flange gasket	DBH80-280-24	DBH100-280-24	DBH150-318-24	
5	Bolt	DBH80-280-25	DBH100-280-25	DBH150-318-25	
6	Washer	DBH80-280-26	DBH100-280-26	DBH150-318-26	
7	Discharge outlet	DBH80-280-13	DBH100-280-13	DBH150-318-13	
8	Casing plug	DBH80-280-27	DBH100-280-27	DBH150-318-27	
9	Washer	DBH80-280-28	DBH100-280-28	DBH150-318-28	
10	Check valve dowel	DBH80-280-29	DBH100-280-29	DBH150-318-29	
11	Suction inlet	DBH80-280-15	DBH100-280-15	DBH150-318-15	
12	Check valve	DBH80-280-14	DBH100-280-14	DBH150-318-14	
13	Bolt	DBH80-280-30	DBH100-280-30	DBH150-318-30	
14	Removable cover plate	DBH80-280-16	DBH100-280-16	DBH150-318-16	
15	Wing nut	DBH80-280-31	DBH100-280-31	DBH150-318-31	
16	Stud	DBH80-280-32	DBH100-280-32	DBH150-318-32	
17	Nut for holding wear plate	DBH80-280-33	DBH100-280-33	DBH150-318-33	
18	Washer	DBH80-280-34	DBH100-280-34	DBH150-318-34	
19	Pressure relief valve	DBH80-280-17	DBH100-280-17	DBH150-318-17	
20	O'ring	DBH80-280-35	DBH100-280-35	DBH150-318-35	
21	Drain plug	DBH80-280-36	DBH100-280-36	DBH150-318-36	
22	Wear plate	Ductile iron	DBH80-280-2	DBH100-280-2	DBH150-318-2
		Bronze	DBH80-280-3	DBH100-280-3	DBH150-318-3
		304 Stainless steel	DBH80-280-4	DBH100-280-4	DBH150-318-4
		316 Stainless Steel	DBH80-280-5	DBH100-280-5	DBH150-318-5
23	Bolt	DBH80-280-37	DBH100-280-37	DBH150-318-37	
24	Washer	DBH80-280-38	DBH100-280-38	DBH150-318-38	
25	Priming cover	DBH80-280-39	DBH100-280-39	DBH150-318-39	
26	Priming cover handle	DBH80-280-39	DBH100-280-40	DBH150-318-40	
27	Bolt	DBH80-280-41	DBH100-280-41	DBH150-318-41	
28	Cover bracket	DBH80-280-42	DBH100-280-42	DBH150-318-42	
29	Balanced Impeller	Ductile iron	DBH80-280-6	DBH100-280-6	DBH150-318-6
		Bronze	DBH80-280-7	DBH100-280-7	DBH150-318-7
		304 Stainless steel	DBH80-280-8	DBH100-280-8	DBH150-318-8
		316 Stainless Steel	DBH80-280-9	DBH100-280-9	DBH150-318-9
30	Seal gasket	DBH80-280-43	DBH100-280-43	DBH150-318-43	
31	Mechanical seal	DBH80-280-20	DBH100-280-20	DBH150-318-20	
32	Bearing housing	DBH80-280-44	DBH100-280-44	DBH150-318-44	
33	Bolt / filler cap	DBH80-280-45	DBH100-280-45	DBH150-318-45	
34	Bolt / filler cap	DBH80-280-46	DBH100-280-46	DBH150-318-46	
35	Gasket	DBH80-280-47	DBH100-280-47	DBH150-318-47	
36	Bolt	DBH80-280-48	DBH100-280-48	DBH150-318-48	
37	Bearing end cover	DBH80-280-49	DBH100-280-49	DBH150-318-49	
38	Key	DBH80-280-50	DBH100-280-50	DBH150-318-50	
39	Shaft	Carbon Steel	DBH80-280-10	DBH100-280-10	DBH150-318-10
		304 Stainless steel	DBH80-280-11	DBH100-280-11	DBH150-318-11
		316 Stainless Steel	DBH80-280-12	DBH100-280-12	DBH150-318-12
40	Shaft seal	DBH80-280-51	DBH100-280-51	DBH150-318-51	
41	Ball bearing - outer	DBH80-280-18	DBH100-280-18	DBH150-318-18	
42	Bearing circlip	DBH80-280-52	DBH100-280-52	DBH150-318-52	
43	Oil level gauge	DBH80-280-53	DBH100-280-53	DBH150-318-53	
44	Drain plug	DBH80-280-54	DBH100-280-54	DBH150-318-54	
45	Drain plug	DBH80-280-55	DBH100-280-55	DBH150-318-55	
46	O'ring	DBH80-280-56	DBH100-280-56	DBH150-318-56	
47	Ball bearing - inner	DBH80-280-57	DBH100-280-57	DBH150-318-57	
48	Nut	DBH80-280-58	DBH100-280-58	DBH150-318-58	
49	Bolt	DBH80-280-59	DBH100-280-59	DBH150-318-59	
50	Mechanical seal housing	DBH80-280-60	DBH100-280-60	DBH150-318-60	
51	O'ring	DBH80-280-61	DBH100-280-61	DBH150-318-61	
52	O'ring	DBH80-280-62	DBH100-280-62	DBH150-318-62	
53	Shims	DBH80-280-63	DBH100-280-63	DBH150-318-63	
54	Impeller nut	DBH80-280-64	DBH100-280-64	DBH150-318-64	
55	Impeller bolt	DBH80-280-65	DBH100-280-65	DBH150-318-65	





water, sewage and sludge technology  
*pumps for life ...*

An ISO 9001:2008 certified company by 



## INDRA HYDRO TECH PUMPS PVT. LTD.

316, 1st Floor, 8th Cross, 4th Phase  
Peenya Industrial Area  
Bengaluru - 560 058  
Karnataka, India  
Tel.: +91 80 2836 2916  
Fax: +91 80 2836 3048  
Email: [contact@ihpindia.in](mailto:contact@ihpindia.in)



[www.ihpindia.in](http://www.ihpindia.in)